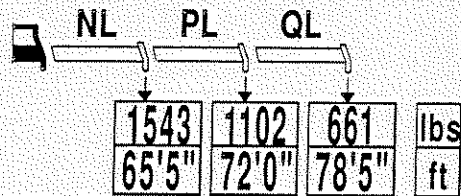
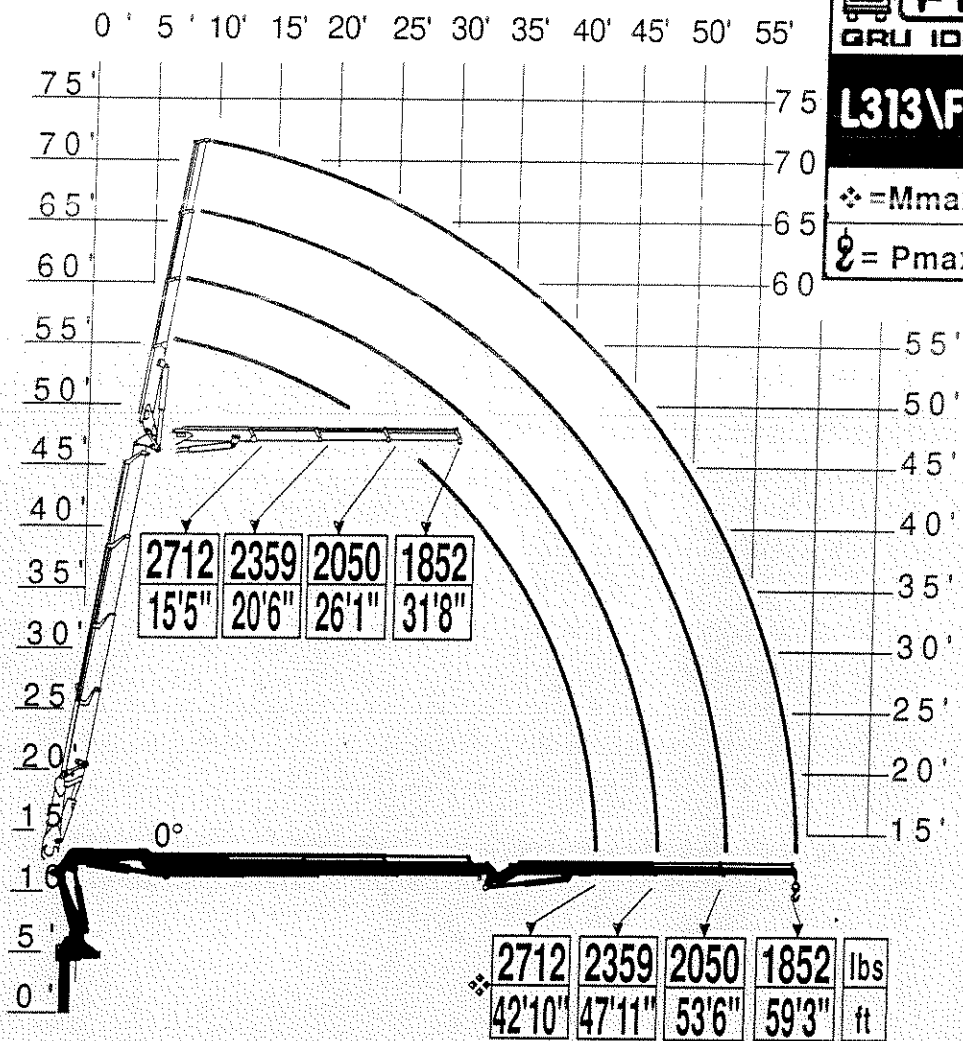




**L313\F270A.23**

◆ = Mmax 116164 lbs.ft

⊗ = Pmax 2712 lbs



lbs NL (83) PL (59) PL (39)

DE 3697