

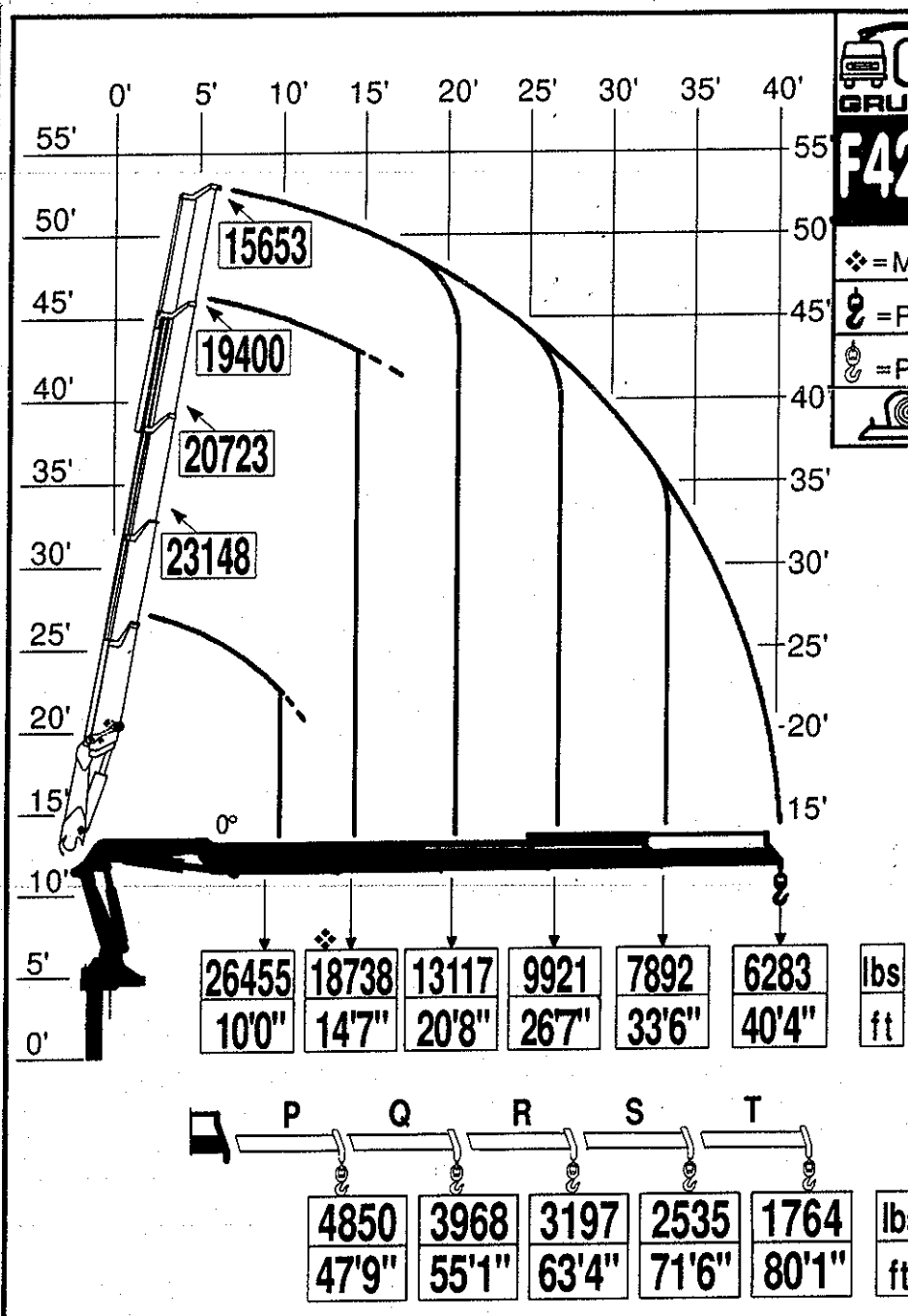
FASSI
GRU IDRAULICHE

F420AXP.24

❖ = Mmax 273277 lbs.ft

⊗ = Pmax 26455 lbs

⊙ = Pmax 4850 lbs



lbs P (275) Q (231) R (198) S (154) T (110)

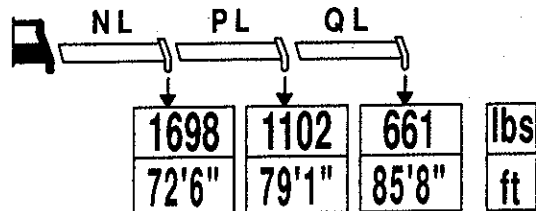
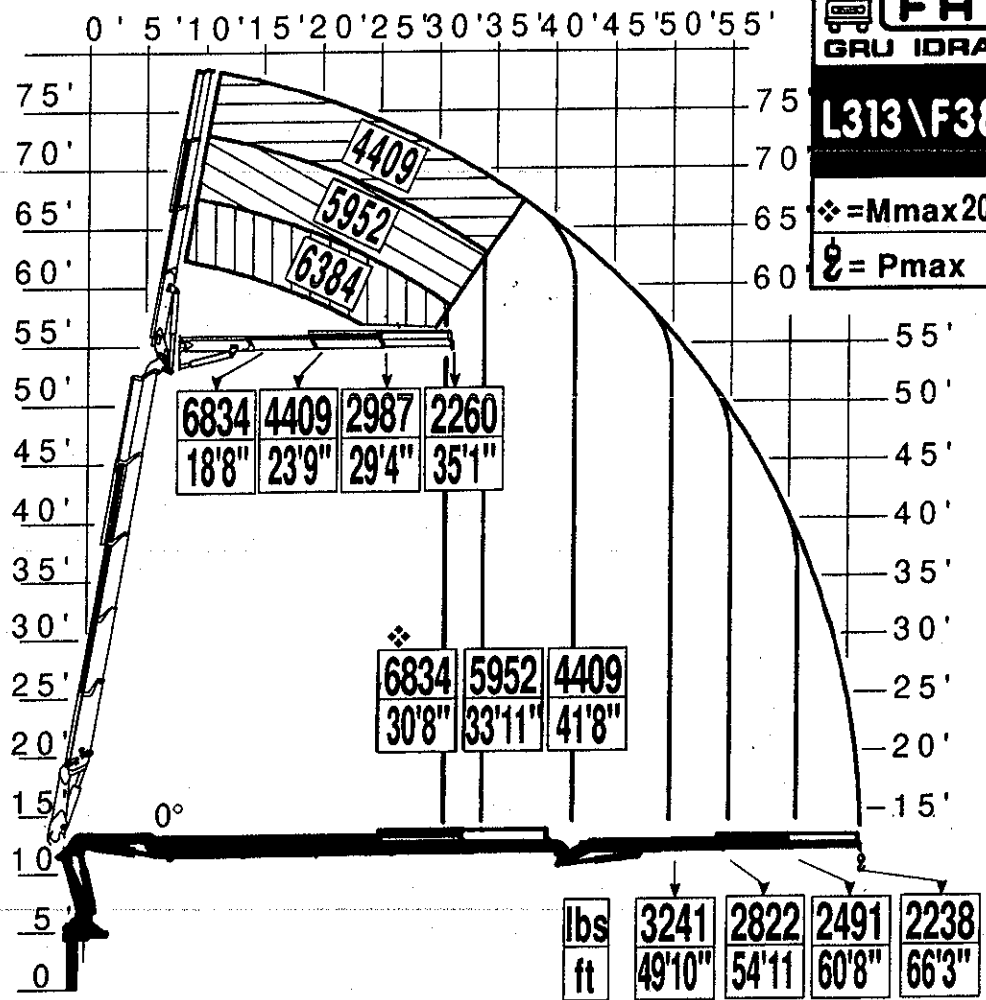
DE 2824



L313\F380A.24

❖ = Mmax 209576 lbs.ft

⊗ = Pmax 6834 lbs



lbs NL (105) PL (70) QL (48)

DE 2846

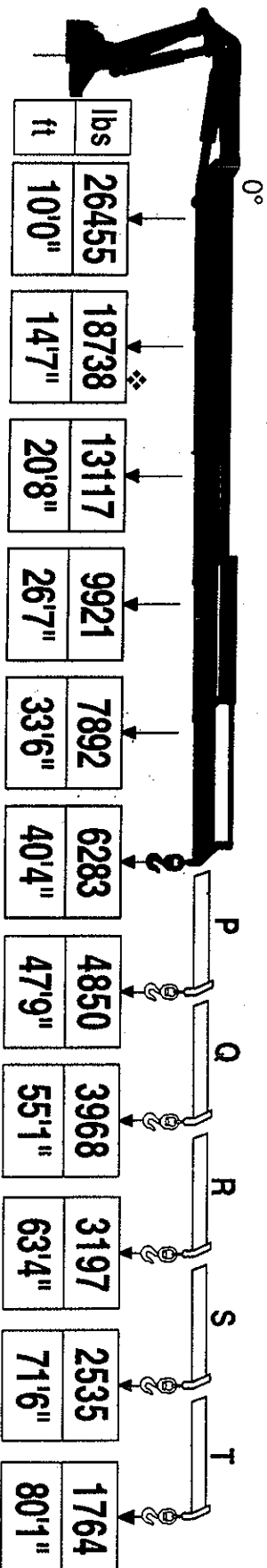
F420AXP.24

❖ = Mmax 273277 lbs.ft

⊗ = Pmax 26455 lbs
 ⊙ = Pmax 4850 lbs



FASSI
 GRU IDRAULICHE



lbs P (275) Q (231) R (198) S (154) T (110)

DE 4662