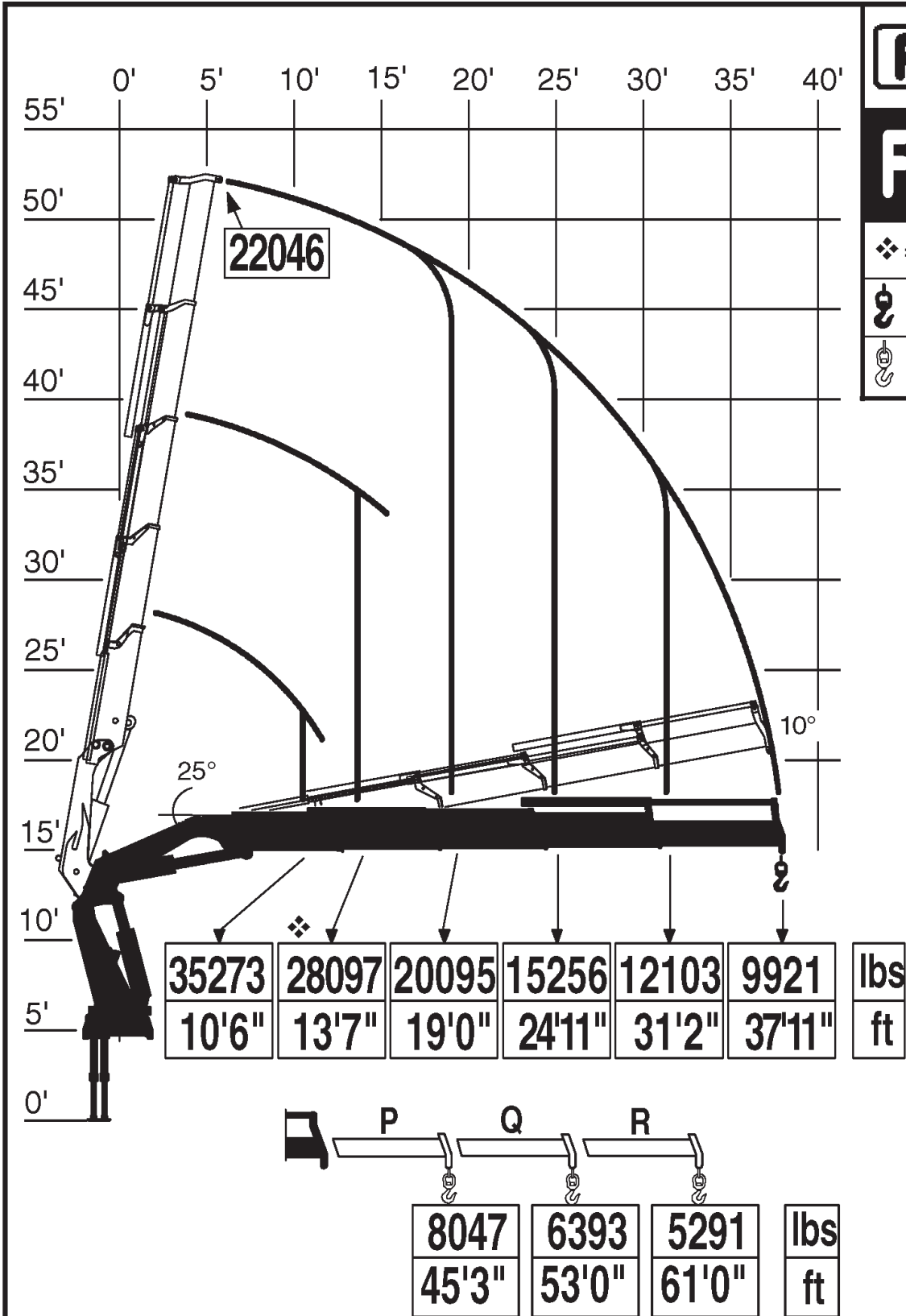


Via Roma, 110  
 14021 Albino (BG)  
 Tel.: +39 035 776400  
 Fax: +39 035 755020  
 www.fassigroup.com  
 fassi@fassigroup.com

LOAD DIAGRAM WITH LIFTING MOMENT LIMITING DEVICE



### FASSI

## F600A.24

❖ = Mmax	381651 lbs.ft
⚙ = Pmax	35273 lbs
⚙ = Pmax	8047 lbs



P (401) Q (322) R (282)

DE 8189