



F600A.24 - Load Diagram

Via Roma, 110
 14021 Albino (BG)
 Tel.: +39 035 776400
 Fax: +39 035 755020
 www.fassigroup.com
 fassi@fassigroup.com

LOAD DIAGRAM WITH WINCH AND WITH LIFTING MOMENT LIMITING DEVICE

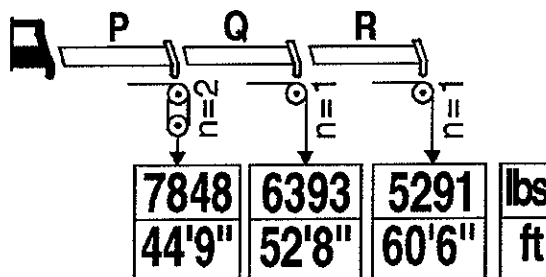
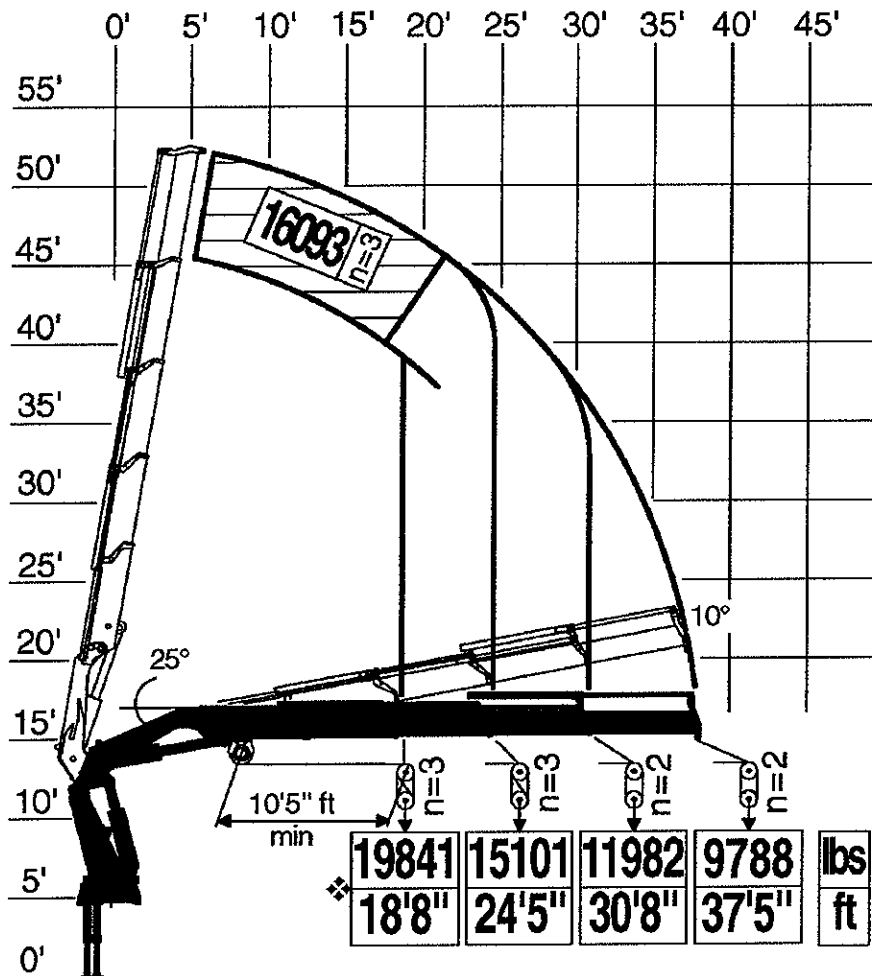


F600A.24

❖ = Mmax 370365 lbs.ft

⊗ = Pmax 19841 lbs

⊕ = Tmax 6744 lbf



P (401) Q (322) R (282)



V30 (683)

DE 8866